

LES STATIONS DE POMPAGE



Pumping station DN625 x 1000



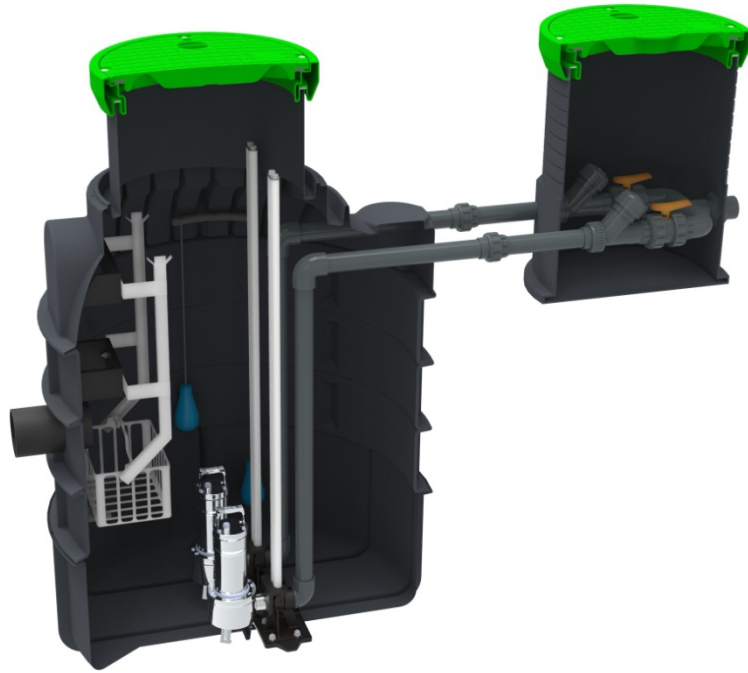
Pumping station DN625 x 1500



Pumping station DN800 x 1000



Pumping station DN800 x 2000



Pumping station DN1200 x 2000